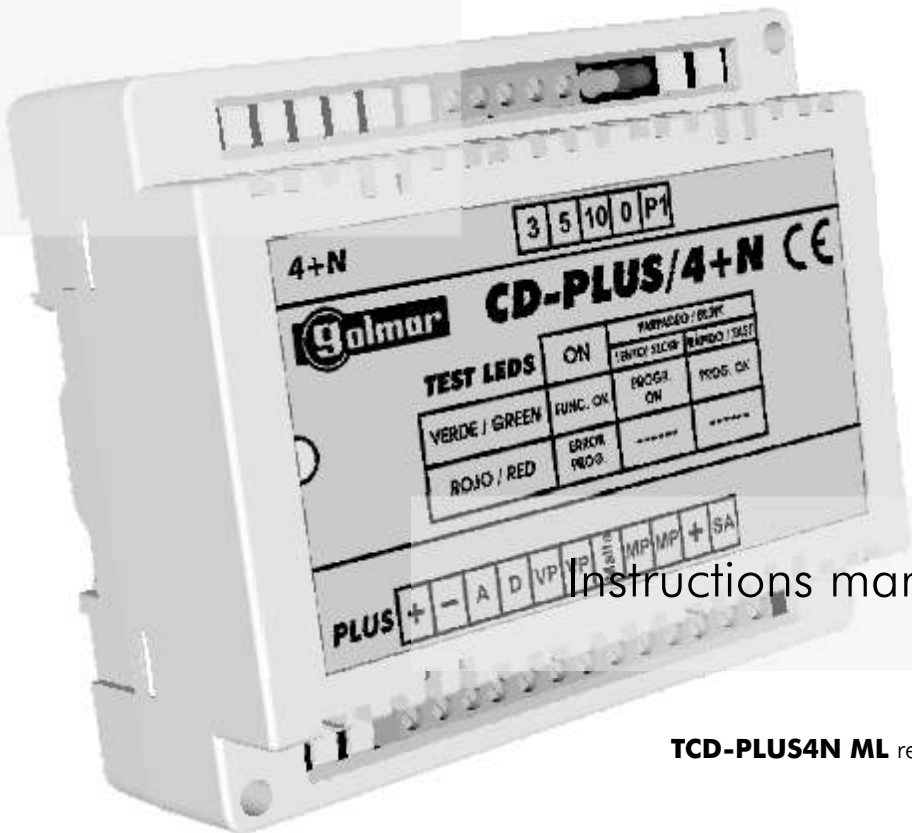




Protocol
converter

CD-PLUS/4+N



Instructions manual

First of all we would like to thank and congratulate you for the purchase of this product manufactured by Golmar.

The commitment to reach the satisfaction of our customers is stated through the ISO-9001 certification and for the manufacturing of products like this one.

Its advanced technology and exacting quality control will do that customers and users enjoy with the legion of features this system offers. To obtain the maximum profit of these features and a properly wired installation, we kindly recommend you to expend a few minutes of your time to read this manual.

SYSTEM CHARACTERISTICS

⇨ A protocol converter for the **PLUS** system, which permits the following combinations:

- ⇨ In systems with **PLUS** installations, it allows an **IT-4N** telephone interface connection.
- ⇨ In systems with **PLUS** installations, it allows the connection of announcement systems or PABXs that are compatible with 4+n installations.

⇨ With an FA-Plus/C power supply the maximum number of converters and telephones in one installation is 10, and with an FA-Plus, the maximum is 50.

⇨ It requires programming but there is no need for it to be configured.

⇨ Autodiagnostic LEDs which allow the detection of programming errors.

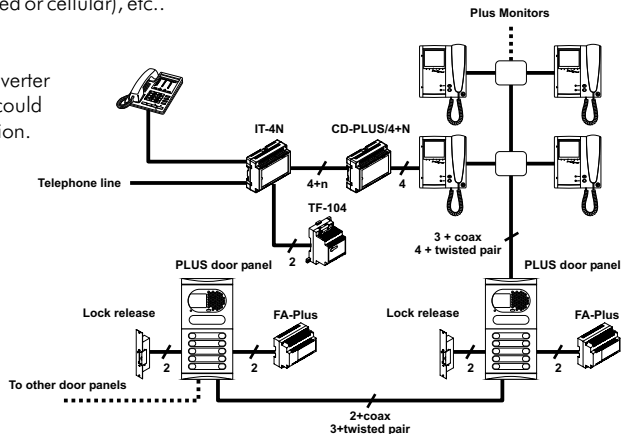
OPERATION MODES

The **CD-PLUS/4+N** converter has 2 possible operation modes:

Connection to an IT-4N telephone interface

It allows an **IT-4N** telephone interface connection to an audio or video door entry system with Plus installation, performing the normal functions of this interface: receive and answer calls from the door panel on any telephone in the apartment, door open function, diverting of calls from the door panel to any telephone number (fixed or cellular), etc..

NOTE: Nothing should be installed between the converter and the interface as this could cause inadequate operation.

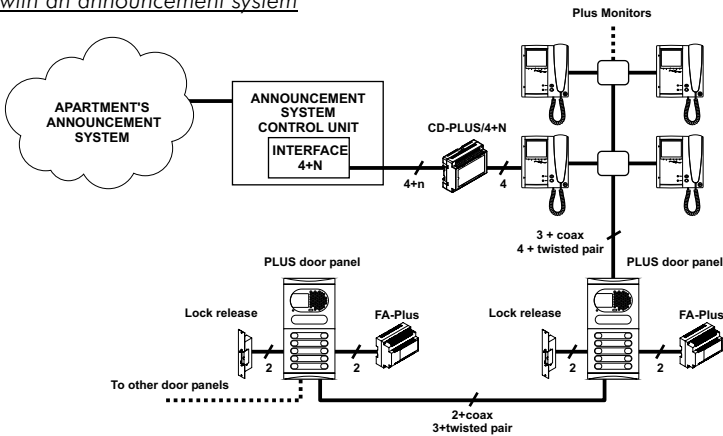
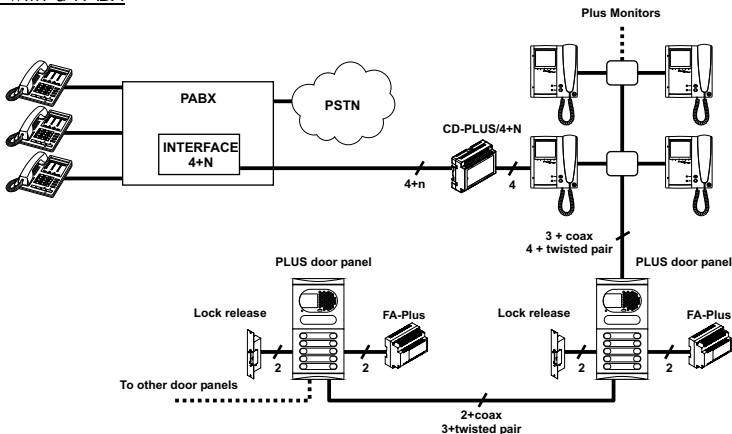


Connection to 4+N compatible systems

It allows the connection of systems that are compatible with 4+n installations (announcement systems, PABXs, etc.), to audio or video door entry systems with Plus installations.

NOTES:

- ☞ A T/700 telephone (or equivalent) should be connected to the converter's 4+n connection block for its programming, once programmed this telephone should be disconnected.
- ☞ Only one function per converter is admitted, if more functions are needed then install the corresponding amount of converters while keeping in mind the power supply limitations.
- ☞ Sometimes a reduction in functionality can occur depending on the manufacturer of the system to be installed, or even more rarely, there could be unexpected results.

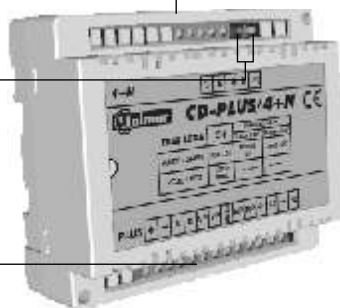
Example with an announcement systemExample with a PABX

Description of the converter.

DIN rail latch release

Autodiagnostic LEDs

Connection block



Description of the autodiagnostic LEDs.

Green LED

Fixed: Correct operation.

Slow blinking: Programming activated.

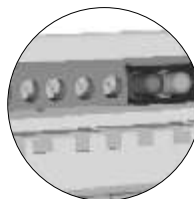
Quick blinking: Programming finished.

Red LED

Fixed: Programming error, go through the steps from the beginning.

Off: Correct operation

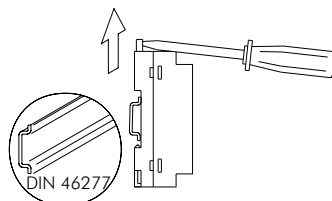
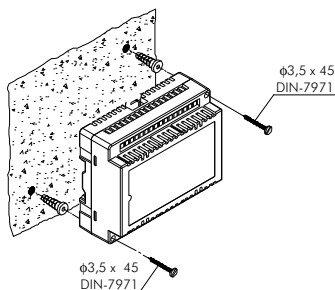
The autodiagnostic LEDs are placed next to the configuration dip switch.



INSTALLATION

Detail of the converter installation.

The converter can be installed on a DIN guide (6 elements) by lightly pressing it. To extract the converter from the DIN guide, use a plain screwdriver to lever the flange as shown on the picture.



To install the converter directly on the wall, drill two holes of $\text{Ø}6\text{mm.}$ and insert the wallplugs. Fix the transformer with the specified screws.

Install the converter in a dry and protected place.

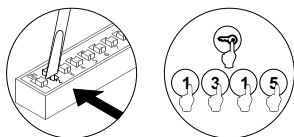
Programming the converter.

For the correct operation of this system it must be programmed as indicated in the following instructions:

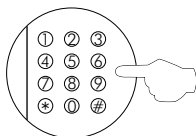
Programming methods

With an IT-4N telephone interface

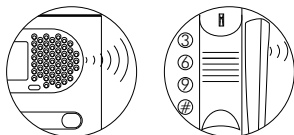
With the telephone connected to the output line to telephones of the IT-4N telephone interface.



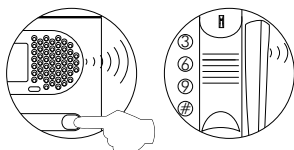
Access the door panel programming mode. If it is a door panel with pushbuttons set dip switch no. 2 from the EL 500 module to ON, and if it is a coded panel press the key button followed by the installer Pin (from factory: 1315).



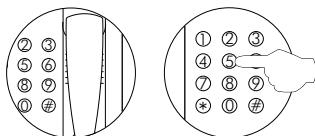
Enter “#9#” code with the telephone buttons to access the programming mode of the Plus/4N Converter.



To show that the system is ready for programming, the door panel and handset will emit a tone, audio communication is established and the green LED on the protocol converter will blink slowly.



Press the door panel push button that will call this converter, or in the case of a coded door panel, enter the apartment code and press the button . At this moment the door panel and handset will emit tones and the converter's green LED will blink quickly.



With the handset lifted:

If programming the converter as master, replace the handset.

If programming it as slave, press push button 5 and finally, replace the handset.

Master

Slave

- The converter should be programmed as slave when it is installed in an apartment with a monitor.
- Each apartment must have one master unit only; in case of parallel units configure them as slaves, whether they are monitors, telephones or converters. The programming of the converter is complete.
- Make a call to check that it has been successfully programmed.
- Having completed the programming set the Door panel's programming switch to OFF, or exit the configuration mode (coded panel) by pressing the C button.

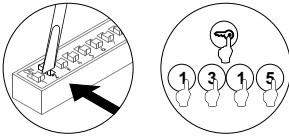
Programming the converter.

For the correct operation of this system it must be programmed as indicated in the following instructions:

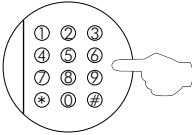
Programming methods

With an IT-4N telephone interface (Divert Mode Always Enabled)

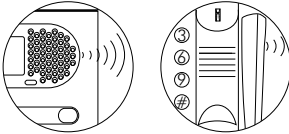
Without the telephone being connected to the output line to telephones of the IT-4N telephone interface.



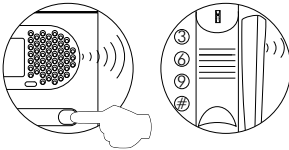
Access the door panel programming mode. If it is a door panel with pushbuttons set dip switch no. 2 from the EL 500 module to ON, and if it is a coded panel press the key button followed by the installer Pin (from factory: 1315).



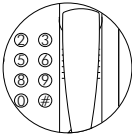
From a telephone on the PABX, call the IT-4N extension and establish audio communication. Enter “##9” code to access the programming mode of the CD-PLUS/4N protocol converter. (In the case of a coded door panel you have 10 seconds to enter this code starting from the moment communication has been established).



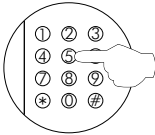
To show that the system is ready for programming, the door panel and handset will emit a tone, and the green LED on the protocol converter will blink slowly.



Press the door panel push button that will call this converter, or in the case of a coded panel, enter the apartment code and press the button . At this moment the door panel and handset will emit tones and the converter's green LED will blink quickly.



Master



Slave

With the handset lifted:

If programming the converter as master, press the “* ” push button and replace the handset.

If programming it as slave, press push button 5 followed by push button “* ” and finally, replace the handset.

- ☛ The converter should be programmed as slave when it is installed in an apartment with a monitor.
- ☛ Each apartment must have one master unit only; in case of parallel units configure them as slaves, whether they are monitors, telephones or converters. The programming of the converter is complete.
- ☛ Make a call to check that it has been successfully programmed.
- ☛ Having completed the programming set the Door panel's programming switch to OFF, or exit the configuration mode (coded panel) by pressing the C button.

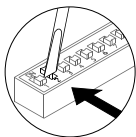
Programming the converter.

For the correct operation of this system it must be programmed as indicated in the following instructions:

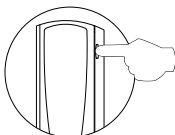
Programming methods

Without an IT-4N telephone interface

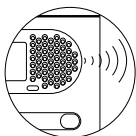
Connect a T-700 telephone (or equivalent) to the converter's 4 + n connection block following the terminal correspondences (3, 10, 5, 0 and P1).



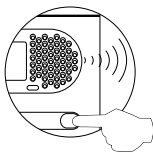
Access the door panel programming mode. If it is a door panel with pushbuttons set dip switch no. 2 from the EL 500 module to ON, and if it is a coded panel press the key button followed by the installer Pin (from factory: 1315).



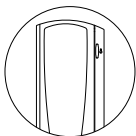
With the door release push button pressed, lift the handset off the telephone.



To show that the system is ready for programming, the door panel and handset will emit a tone, and audio communication can be established. Release the door release push button.



Press the door panel push button that will call this converter, or in the case of a coded panel, enter the apartment code and press the button . At this moment both door panel and handset will emit tones.



With the handset lifted:

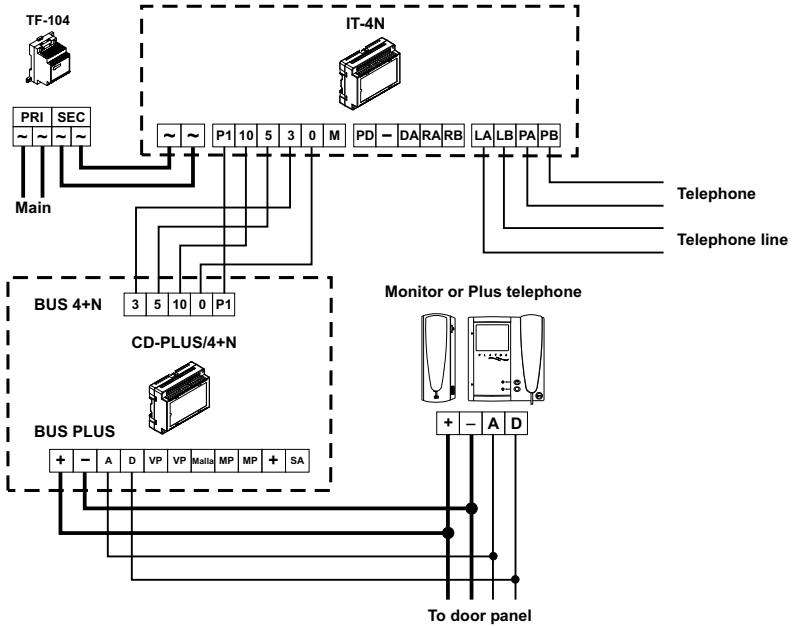
To program the converter as master, replace the handset, and to program it as slave, press the door release push button and finally, replace the handset.

Master

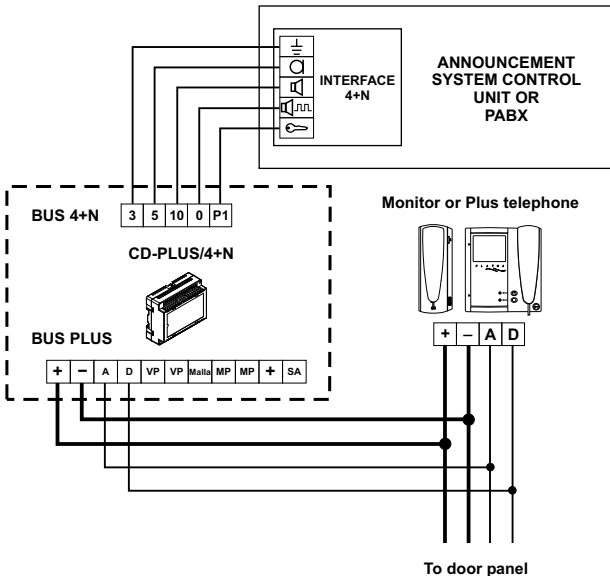
Slave

- The converter should be programmed as slave when it is installed in an apartment with a monitor.
- Each apartment must have one master unit only; in case of parallel units configure them as slaves, whether they are monitors, telephones or converters. The programming of the converter is complete.
- Make a call to check that it has been successfully programmed.
- **Having completed the programming set the Door panel's programming switch to OFF, or exit the configuration mode (coded panel) by pressing the C button and disconnect the T-700 telephone from the converter.**

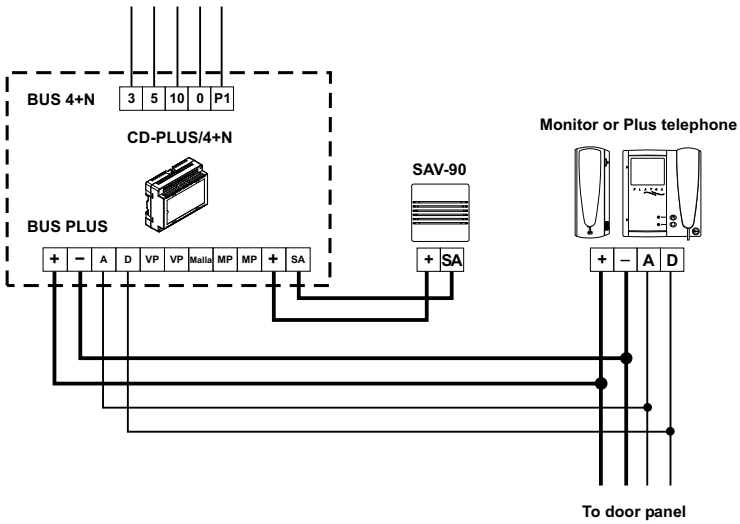
Connection to an IT-4N telephone interface.



Connection to 4+N compatible systems.



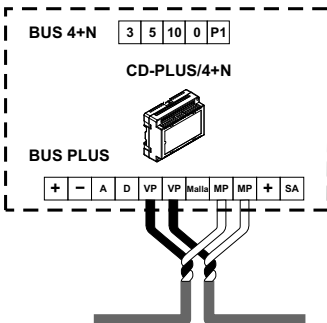
Additional call repeater connection.



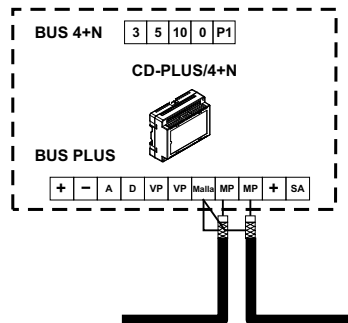
Video signal shunt.

If it were necessary, the MP and VP terminals can be used as a shunt (input-output) for the video signal. Keep in mind that this module does not handle this signal; it just acts as a shunt so that it can continue to the next point.

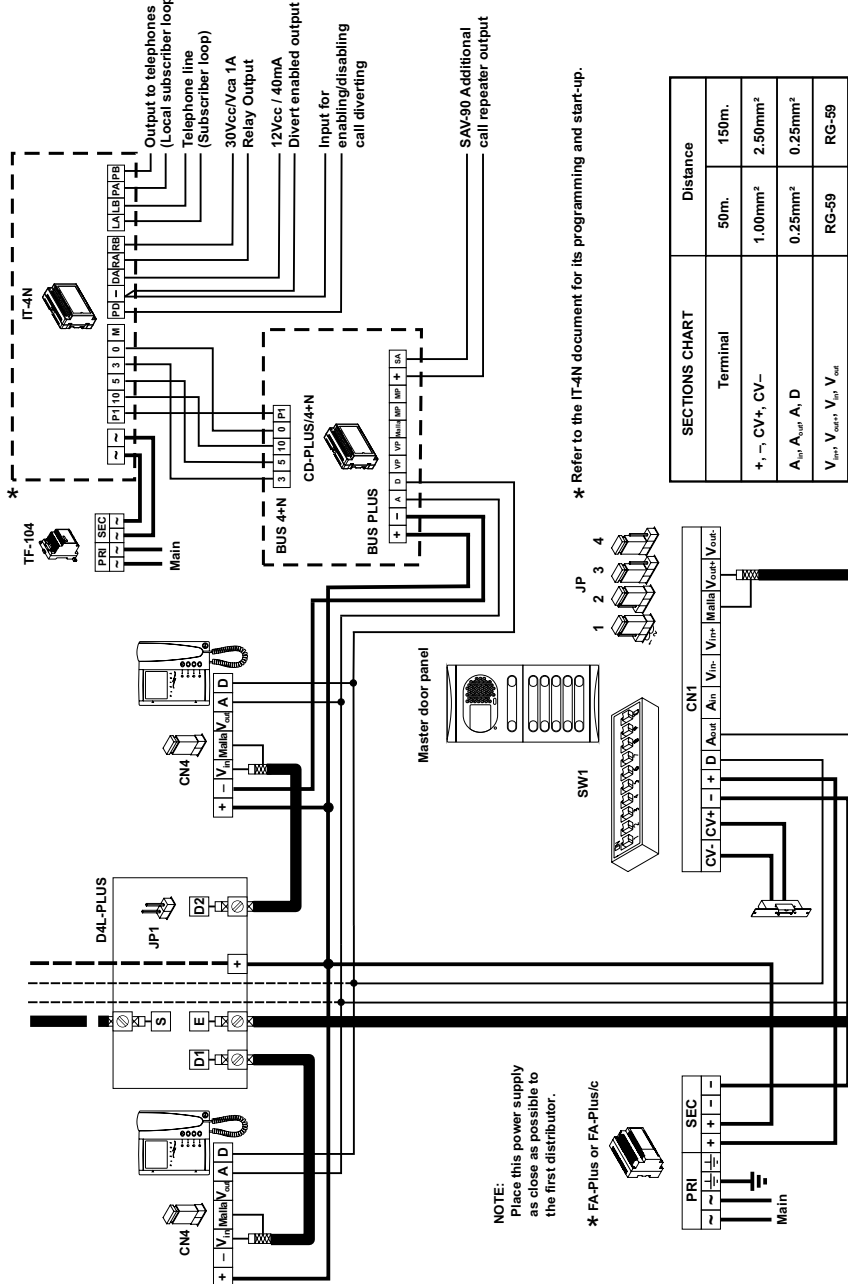
Twisted pair



Coaxial



Connecting a video door entry system to an IT-4N interface using coaxial cable.



NOTE:
Place this power supply as close as possible to the first distributor.

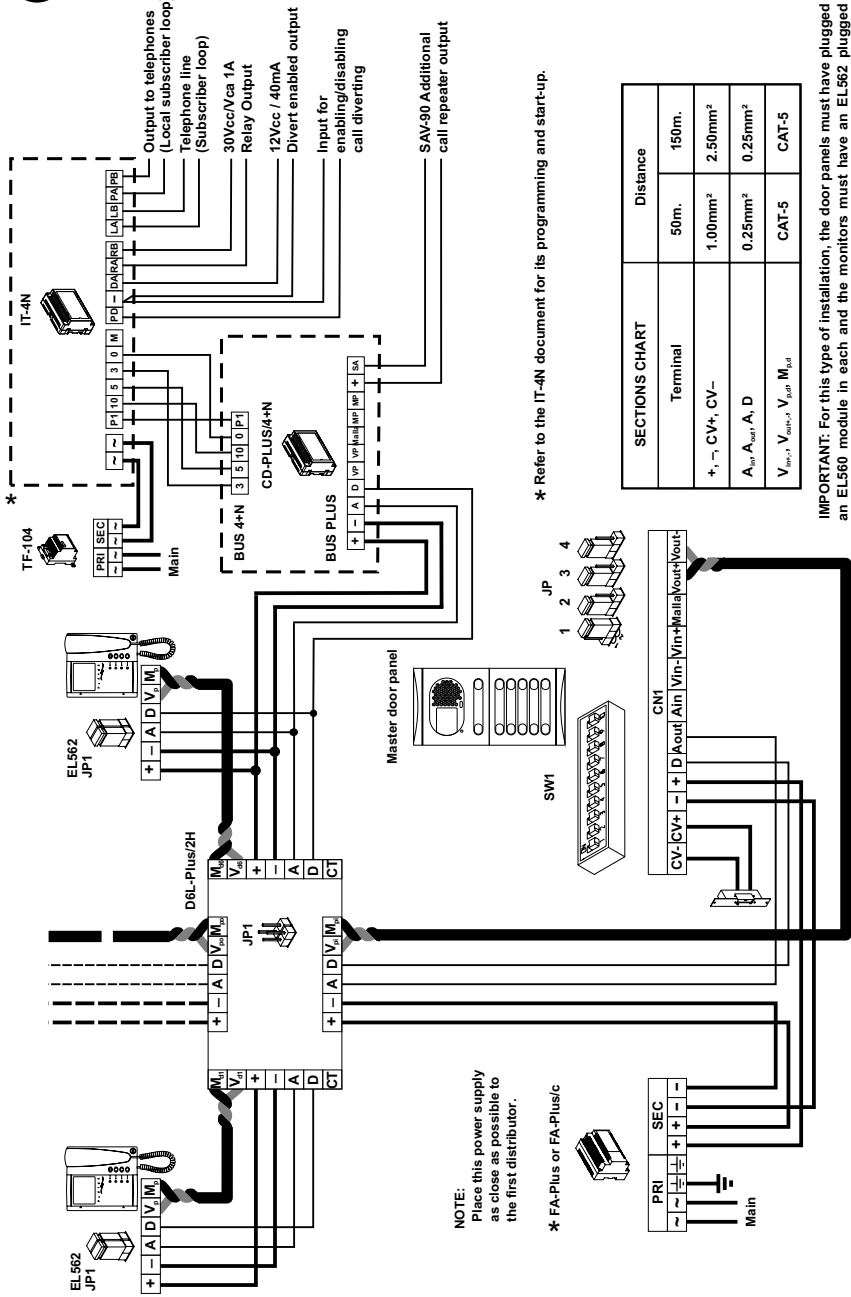
* FA-Plus or FA-Plus/c

* Refer to the IT-4N document for its programming and start-up.

SECTIONS CHART		Distance
Terminal		50m.
+ _r - _r CV+ _r CV- _r	1.00mm ²	150m.
A _{int} A _{ext} A _D	0.25mm ²	2.50mm ²
V _{int} V _{ext} V _{in} V _{out}	RG-59	0.25mm ²
	RG-59	RG-59

For greater distances, please consult with our technical support department.

Connecting a video door entry system to an IT-4N interface using twisted pair cable.



NOTE:
Place this power supply as close as possible to the first distributor.

★ FA-Plus or FA-Plus/c

Terminal	Distance
+	50m.
-	150m.
CV+, CV-	1.00mm ²
A _{int} , A _{ext} , A, D	2.50mm ²
V _{int} , V _{ext} , V _{int} , M _{int} , M _{ext}	0.25mm ²
	CAT-5
	CAT-5

IMPORTANT: For this type of installation, the door panels must have plugged an EL560 module in each and the monitors must have an EL562 plugged in each.
For greater distances, please consult with our technical support department.

★ FA-Plus or FA-Plus/c rev.938072.

⇨ Nothing operates.

- ☞ Check that the voltage between the + and - terminals of the converter is between 17.5 to 18.5Vc.c., if not, check the power supply and its connections.
- ☞ Connect a T-700 telephone (or equivalent) to the converter's 4+n connection block and check that it works correctly.
- ☞ *If it does*, then check the configuration of the unit that is connected to the 4+n connection block.
- ☞ If it does not, check that the programming has been done correctly. Reprogram it if necessary.

⇨ Not receiving calls.

- ☞ Check that the unit connected to the 4+n connection block supports electronic calls and that it is configured for this.
- ☞ Check that the programming has been done correctly. Reprogram it if necessary.



1141 Budapest, Fogarasi út 77. **1095 Budapest, Mester utca 34.**
Tel.: *220-7940, 220-7814, 220-7959, Tel.: *218-5542, 215-9771, 215-7550,
220-8881, 364-3428 Fax: 220-7940 216-7017, 216-7018 Fax: 218-5542
Mobil: 30 531-5454, 30 939-9989 Mobil: 30 940-1970, 30 959-0930

www.golmar.hu

E-mail: info@delton.hu Web: www.delton.hu